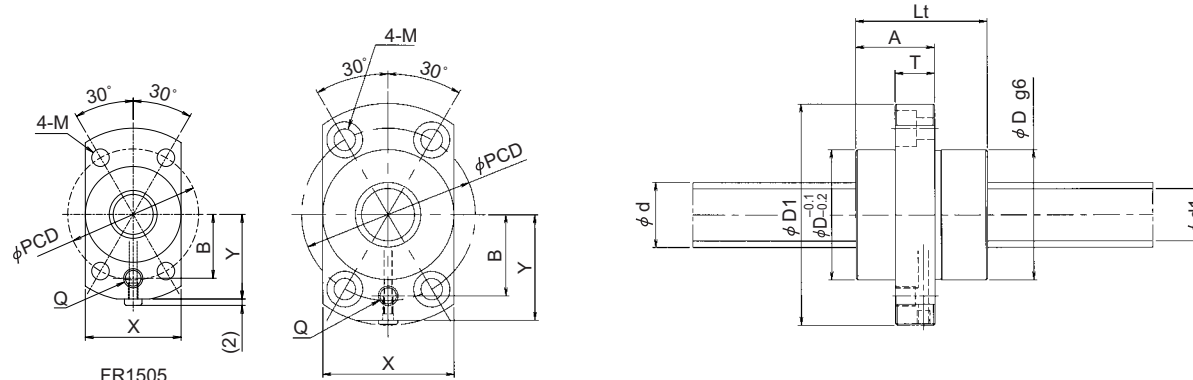


End deflector Method Single Nut
Screw shaft diameter $\phi 15\sim\phi 25$

(Unit : mm)


 FR1505
 FR1510
 FR1520

Flange type H

Model No.	Screw shaft diameter d	Lead L	Ball diameter D _b	Root diameter d ₁	Number Of circuits Turn X Circuit	Basic dynamic load rating C (N)	Basic static load rating C ₀ (N)	*Rigidity K _{Ns} (N/μm)	Nut dimensions														Mass					
									Outer diameter D	Overall length L _t	Length A	Wiper N	Flange dimensions							Mounting hole				Nut (kg)	Screw shaft (kg/100mm)			
													Thickness T	Outer diameter D ₁	Type H	W	X	Y	A	B	G	Oil hole Q	PCD			M		
																										Drill	Spot facing	Depth
FR1505PS-HPNR	15	5	3.1750	12.5	2.7 X 1	7400	12900	120	30	25	17.3	N	9.5	54	H	—	30	26.5	—	20	—	M6	41	5.5	—	—	0.14	0.14
FR1510PS-HPNR	15	10	3.1750	12.5	2.7 X 1	7400	12900	120	30	38	20	N	10	54	H	—	30	26.5	—	20	—	M6	41	5.5	—	—	0.20	0.14
FR1520PS-HPNR	15	20	3.1750	12.5	1.7 X 1	4800	8200	80	30	48	20.5	N	10	54	H	—	30	26.5	—	20	—	M6	41	5.5	—	—	0.24	0.14
FR2010PS-HPNR	20	10	4.7625	16	2.7 X 1	18000	33900	160	40	38	23	N	12	68	H	—	40	32.5	—	25	—	M6	53	6.6	11	6.5	0.30	0.25
FR2020PS-HPNR	20	20	4.7625	15.9	1.7 X 1	11600	20600	100	40	48	23	N	12	68	H	—	40	32.5	—	25	—	M6	53	6.6	11	6.5	0.38	0.25
FR2505PS-HPNR	25	5	3.1750	22.5	3.7 X 1	13100	31800	240	40	30	20	N	12	68	H	—	40	32.5	—	25	—	M6	53	6.6	11	6.5	0.23	0.38
FR2510PS-HPNR	25	10	4.7625	21	2.7 X 1	20400	42600	200	45	37	25	N	15	74	H	—	45	35.5	—	28	—	M6	59	6.6	11	6.5	0.39	0.38
FR2525PS-HPNR	25	25	4.7625	21	1.7 X 1	13100	25900	130	45	58	27	N	15	74	H	—	45	35.5	—	28	—	M6	59	6.6	11	6.5	0.55	0.38

(Note) • The rigidity indicated with the *mark in the above list represents the practical value based on the result of rigidity test. This value is calculated from the elastic displacement measured when the axial load equivalent to 30% of basic dynamic load rating (C) is applied between the screw thread and the balls.

• Wiper material N : Without wiper

供应公司：凯欧机械科技有限公司
 苏州：0512-67540259 上海：021-58697955
 深圳：0755-81798578 北京：010-52886073