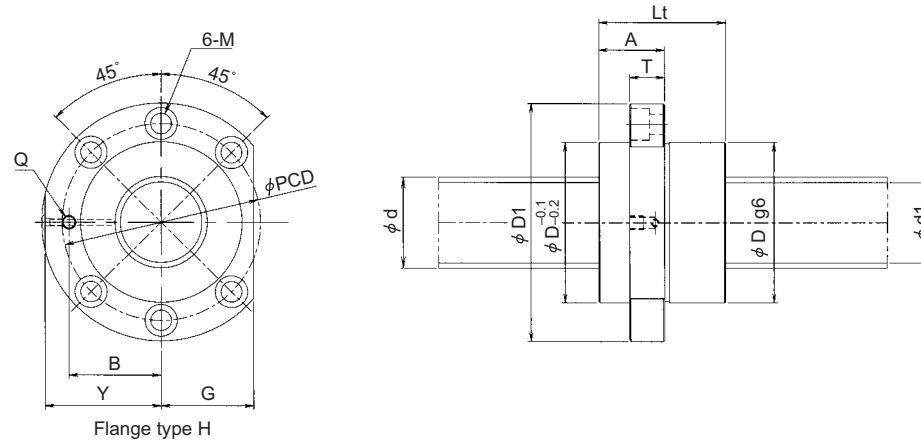


End deflector Method Single Nut

Screw shaft diameter $\phi 32\sim\phi 40$

(Unit : mm)



KURODA

Model No.	Screw shaft diameter d	Lead L	Ball diameter Db	Root diameter d1	Number Of circuits Turn X Circuit	Basic dynamic load rating C (N)	Basic static load rating Co (N)	*Rigidity Kns (N/μm)	Nut dimensions																Mass			
									Outer diameter D	Overall length Lt	Length A	Wiper	Flange dimensions							Mounting hole				Nut (kg)	Screw shaft (kg/100mm)			
													Thickness T	Outer diameter D1	Type	W	X	Y	A	B	G	Oil hole Q	PCD			M		
																										Drill	Spot facing	Depth
FR3205PS-DPNR	32	5	3.1750	29.5	3.7 X 1	14700	41600	300	52	30	20	N	12	82	D	—	—	39.5	—	32	31	M6	67	6.6	11	6.5	0.47	0.63
FR3208PS-DPNR	32	8	4.7625	28	3.7 X 1	30100	74600	330	56	42	25.5	N	15	84	D	—	—	40.5	—	34	32	M6	69	6.6	11	6.5	0.71	0.63
FR3212PS-DPNR	32	12	6.3500	27.2	3.7 X 1	43100	97000	370	62	65	31	N	15	89	D	—	—	43	—	37	34	M6	75	6.6	11	6.5	1.15	0.63
FR3216PS-DPNR	32	16	6.3500	27.2	3.7 X 1	43100	97000	370	62	78	30	N	15	89	D	—	—	43	—	37	34	M6	75	6.6	11	6.5	1.36	0.63
FR3612PS-DPNR	36	12	7.1438	30.6	3.7 X 1	59500	140500	400	70	62	32.5	N	18	104	D	—	—	50.5	—	41	40	M6	86	9	14	8.6	1.54	0.79
FR3616PS-DPNR	36	16	7.1438	30.6	3.7 X 1	59500	140500	400	70	80	35	N	18	104	D	—	—	50.5	—	41	40	M6	86	9	14	8.6	1.89	0.79
FR4008PS-DPNR	40	8	4.7625	36	3.7 X 1	34400	98300	410	64	44	26	N	15	98	D	—	—	47.5	—	38	38	M6	80	9	14	8.6	0.91	0.98
FR4010PS-DPNR	40	10	6.3500	35.2	3.7 X 1	49400	125800	410	70	55	28.5	N	15	104	D	—	—	50.5	—	41	40	M6	86	9	14	8.6	1.25	0.98
FR4012PS-DPNR	40	12	7.1438	34.6	3.7 X 1	64000	160700	460	74	63	33	N	18	108	D	—	—	52.5	—	43	41	M6	90	9	14	8.6	1.66	0.98
FR4016PS-DPNR	40	16	7.1438	34.6	3.7 X 1	64000	160700	460	74	78	34	N	18	108	D	—	—	52.5	—	43	41	M6	90	9	14	8.6	1.98	0.98

(Note) • The rigidity indicated with the *mark in the above list represents the practical value based on the result of rigidity test. This value is calculated from the elastic displacement measured when the axial load equivalent to 30% of basic dynamic load rating (C) is applied between the screw thread and the balls.

• Wiper material N : Without wiper

供应公司：凯欧机械科技有限公司
 苏州：0512-67540259 上海：021-58697955
 深圳：0755-81798578 北京：010-52886073